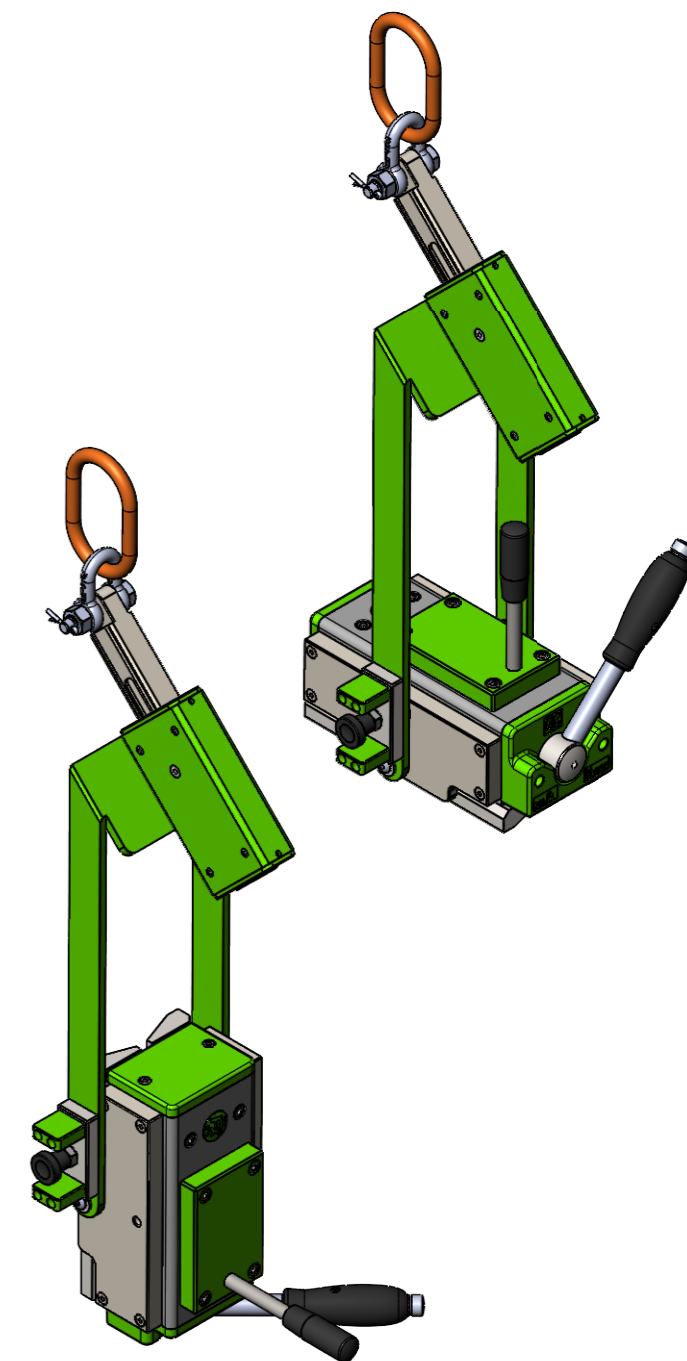
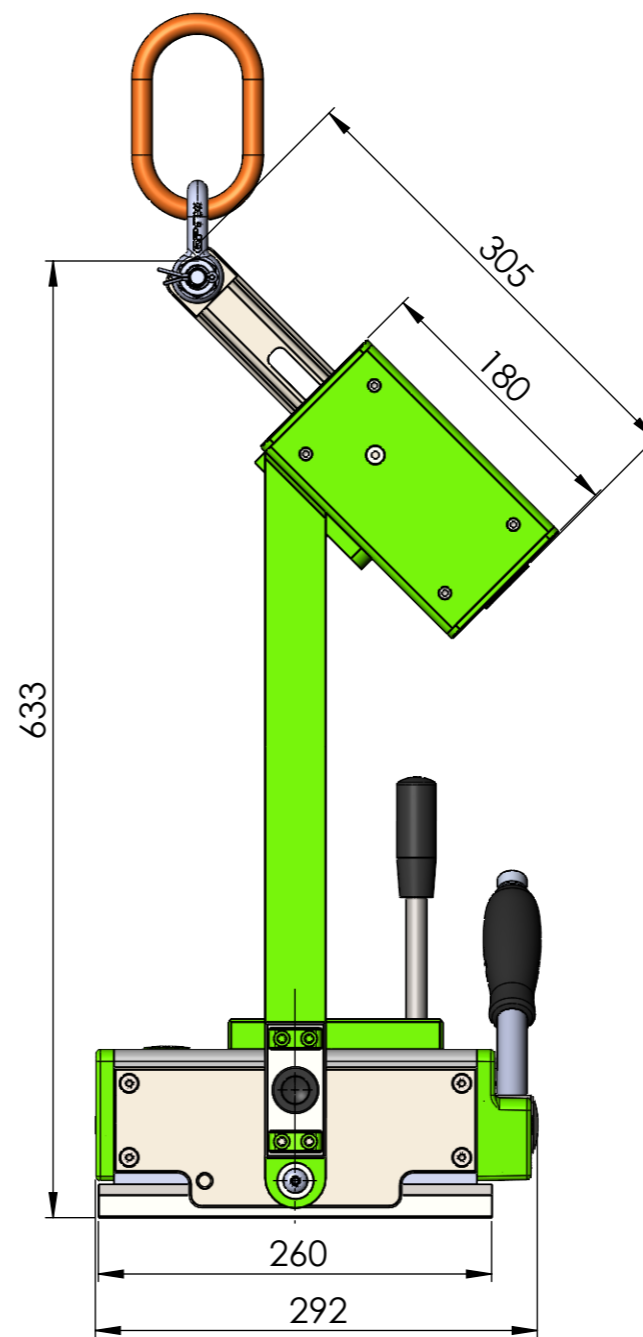
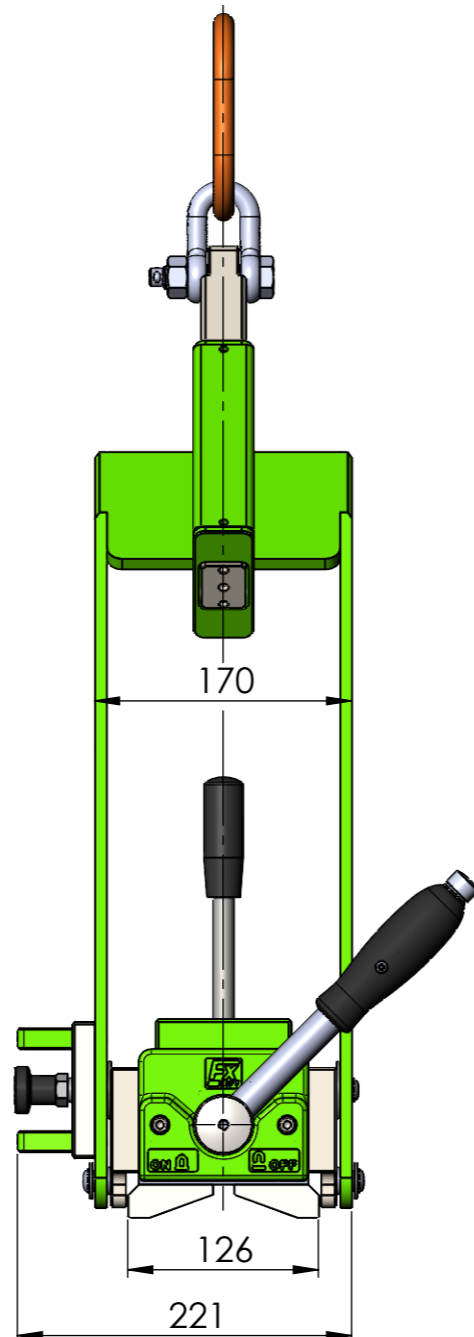


Green-Dot
NFC-Tag with magnet
related information



Max. load capacity flat, from 10mm material thickness:
horizontal = 270 kg
vertical = 90 kg
Max. load capacity round \varnothing 50-270mm, from 20mm material thickness
horizontal = 270 kg
vertical = 90 kg
At workpiece temperature 100°C - Max. contact time 100%
At workpiece temperature 170°C - Max. contact time = 5 min. / 50%
Contact time = cooling time at 30°C ambient temperature

Schutzvermerk nach DIN ISO 16016 beachten! Nachdruck nur mit unserer Genehmigung!					tolerance	material:	weight: 35.00 kg
All rights reserved according to DIN ISO 16016! Reprint with our permission only!					ISO 7168 M	drawing no.:	0013158
				date	name	description: FX-HVS R450	
				drawn 23.02.2021	FEU	Horizontal-vertical slewing magnet	
07	Green Dot	01.02.2024	TW	edit 15.02.2024			
06	Griff+Gewinde M12	11.12.2023	TW	appr. 15.02.2024	TW	sheet 1 / 1	
05	Ganter griff	25.10.2023	FEU	 www.flraig-te.de			
04	Rastung	25.07.2022	FEU			Status: Freigegeben	
03	Hebel max500	30.06.2022	FEU				
02	Rohraufsatz	23.06.2022	TW				
rev.	change	date	name				